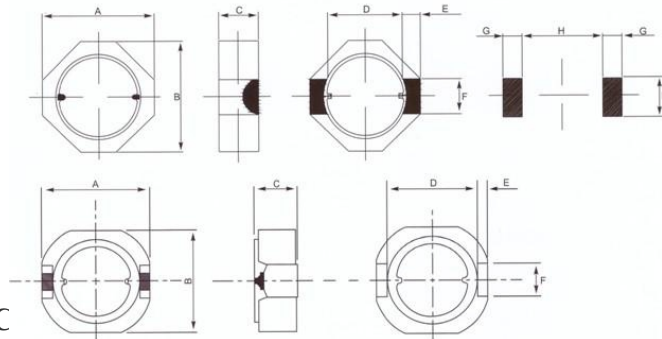


GSR Series



● Dimensions and Land Patterns. (UNIT: mm)



● Applications:

VCR Camera, PDA, HDD, LCD Display

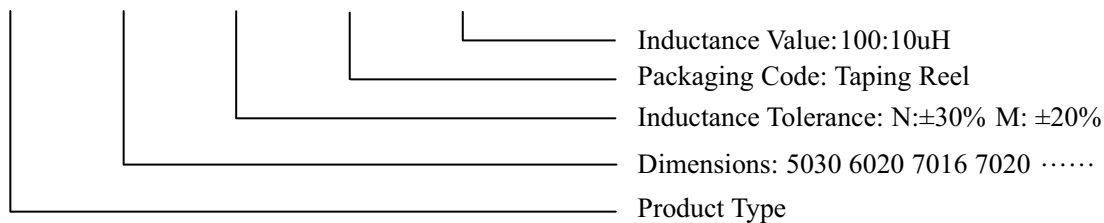
Cellular Phone, Cordless Telephone, ETC.

● Operating temperature: -40 °C to +125 °C

TYPE	A (max)	B (max)	C (max)	D	E	F	G	H	I
GSR5030	5.80	5.50	3.00	3.90	0.65	1.80	1.10	3.70	2.00
GSR6020	6.90	6.20	2.50	4.80	0.60	2.00	1.00	4.60	2.60
GSR6030	6.90	6.20	3.50	4.80	0.60	2.00	1.00	4.60	2.60
GSR7016	8.00	7.60	1.80	6.00	0.90	2.60	1.40	5.80	3.20
GSR7020	8.00	7.60	2.20	6.00	0.90	2.60	1.40	5.80	3.20
GSR7025	8.60	7.60	2.50	5.50	0.90	2.30	1.40	5.30	3.00
GSR8025	9.50	8.30	2.80	6.20	1.20	2.30	1.50	6.00	3.00

● Part Numbering

GSR 6030 M T 100



Electrical characteristics List

GSR5030/6020 Series

PART No.	L (uH)	Tolerance	Test Condition	DCR (Ω)MAX		IDC (A)	
				5030	6020	5030	6020
GSR◇◇NT1R0	1.0	N	100KHZ/0.25V	0.032	0.029	2.35	3.60
GSR◇◇NT1R5	1.5	N	100KHZ/0.25V	0.040	0.034	2.20	3.15
GSR◇◇NT2R2	2.2	N	100KHZ/0.25V	0.052	0.046	2.00	2.20
GSR◇◇NT2R7	2.7	N	100KHZ/0.25V	0.071	-	1.85	-
GSR◇◇NT3R3	3.3	N	100KHZ/0.25V	0.081	0.049	1.60	2.20
GSR◇◇NT4R7	4.7	N	100KHZ/0.25V	0.116	0.072	1.50	1.60
GSR◇◇NT6R8	6.8	N	100KHZ/0.25V	0.130	0.080	1.15	1.40
GSR◇◇NT8R2	8.2	N	100KHZ/0.25V	0.166	-	0.92	-
GSR◇◇MT100	10	M	1KHZ/0.25V	0.191	0.127	0.75	1.20
GSR◇◇MT120	12	M	1KHZ/0.25V	0.403	-	0.50	-
GSR◇◇MT150	15	M	1KHZ/0.25V	0.702	0.195	0.40	0.95
GSR◇◇MT180	18	M	1KHZ/0.25V	0.715	-	0.40	-
GSR◇◇MT220	22	M	1KHZ/0.25V	1.600	0.276	0.37	0.77
GSR◇◇MT270	27	M	1KHZ/0.25V	2.400	-	0.31	-
GSR◇◇MT330	33	M	1KHZ/0.25V	3.600	0.398	0.26	0.64
GSR◇◇MT390	39	M	1KHZ/0.25V	6.000	-	0.13	-
GSR◇◇MT470	47	M	1KHZ/0.25V	8.600	0.605	0.10	0.50

Electrical characteristics List

GSR6030 Series

PART No.	L(uH)	Tolerance	Test Condition	DCR (Ω)MAX	IDC (A)
GSR6030NT1R0	1.0	N	100KHZ/0.25V	0.0170	3.800
GSR6030NT1R5	1.5	N	100KHZ/0.25V	0.0190	3.450
GSR6030NT2R2	2.2	N	100KHZ/0.25V	0.0210	3.150
GSR6030NT2R7	2.7	N	100KHZ/0.25V	0.0235	2.800
GSR6030NT3R3	3.3	N	100KHZ/0.25V	0.0275	2.680
GSR6030NT4R7	4.7	N	100KHZ/0.25V	0.0340	2.180
GSR6030NT6R8	6.8	N	100KHZ/0.25V	0.0420	1.930
GSR6030NT8R2	8.2	N	100KHZ/0.25V	0.0470	1.600
GSR6030MT100	10	M	1KHZ/0.25V	0.0530	1.560
GSR6030MT120	12	M	1KHZ/0.25V	0.0680	1.350
GSR6030MT150	15	M	1KHZ/0.25V	0.0830	1.150
GSR6030MT180	18	M	1KHZ/0.25V	0.0880	1.100
GSR6030MT220	22	M	1KHZ/0.25V	0.1150	1.000
GSR6030MT270	27	M	1KHZ/0.25V	0.1550	0.860
GSR6030MT330	33	M	1KHZ/0.25V	0.1780	0.800
GSR6030MT390	39	M	1KHZ/0.25V	0.2080	0.730
GSR6030MT470	47	M	1KHZ/0.25V	0.2280	0.710
GSR6030MT560	56	M	1KHZ/0.25V	0.2800	0.630
GSR6030MT680	68	M	1KHZ/0.25V	0.3460	0.585
GSR6030MT820	82	M	1KHZ/0.25V	0.4550	0.490
GSR6030MT101	100	M	1KHZ/0.25V	0.5180	0.470

GSR7016/7020 Series

PART No.	L (uH)	Tolerance	Test Condition	DCR (Ω)MAX		IDC (A)	
				7016	7020	7016	7020
GSR◇◇NT1R0	1.0	N	100KHZ/0.25V	0.070	0.030	2.500	5.000
GSR◇◇NT2R2	2.2	N	100KHZ/0.25V	0.075	0.046	2.350	3.700
GSR◇◇NT3R3	3.3	N	100KHZ/0.25V	0.080	0.060	2.250	3.300
GSR◇◇NT4R7	4.7	N	100KHZ/0.25V	0.085	0.065	2.100	3.100
GSR◇◇NT6R8	6.8	N	100KHZ/0.25V	0.091	0.092	2.000	2.700
GSR◇◇MT100	10	M	1KHZ/0.25V	0.225	0.145	1.650	2.300
GSR◇◇MT150	15	M	1KHZ/0.25V	0.359	0.210	1.320	2.000
GSR◇◇MT220	22	M	1KHZ/0.25V	0.470	0.370	1.020	1.620
GSR◇◇MT330	33	M	1KHZ/0.25V	0.610	0.536	0.920	1.300
GSR◇◇MT470	47	M	1KHZ/0.25V	0.928	0.766	0.730	0.950
GSR◇◇MT680	68	M	1KHZ/0.25V	1.390	1.230	0.520	0.650
GSR◇◇MT820	82	M	1KHZ/0.25V	1.880	1.750	0.430	0.520
GSR◇◇MT101	100	M	1KHZ/0.25V	2.460	2.350	0.340	0.410

Electrical characteristics List

GSR7025/8025 Series

PART No.	L (μ H)	Tolerance	Test Condition	DCR (Ω)MAX		IDC (A)	
				7025	8025	7025	8025
GSR◇◇NT1R0	1.0	N	100KHZ/0.25V	0.055	0.038	4.200	4.200
GSR◇◇NT2R2	2.2	N	100KHZ/0.25V	0.060	0.042	3.700	3.900
GSR◇◇NT3R3	3.3	N	100KHZ/0.25V	0.065	0.048	3.400	3.700
GSR◇◇NT4R7	4.7	N	100KHZ/0.25V	0.070	0.054	3.200	3.500
GSR◇◇NT6R8	6.8	N	100KHZ/0.25V	0.099	0.067	3.000	3.300
GSR◇◇MT100	10	M	1KHZ/0.25V	0.120	0.091	2.600	2.600
GSR◇◇MT150	15	M	1KHZ/0.25V	0.215	0.140	2.100	2.000
GSR◇◇MT220	22	M	1KHZ/0.25V	0.296	0.218	1.800	1.650
GSR◇◇MT330	33	M	1KHZ/0.25V	0.488	0.368	1.300	1.360
GSR◇◇MT470	47	M	1KHZ/0.25V	0.829	0.584	0.950	0.980
GSR◇◇MT680	68	M	1KHZ/0.25V	1.350	0.878	0.710	0.670
GSR◇◇MT820	82	M	1KHZ/0.25V	2.160	1.520	0.580	0.550
GSR◇◇MT101	100	M	1KHZ/0.25V	2.970	2.280	0.400	0.430